

White's Electronics, Inc.

1011 PLEASANT VALLEY ROAD

SWEET HOME, OREGON 97386

OPERATORS INSTRUCTIONS



Manufacturers of The World's Largest Line of Mineral and Metal Detectors

MINERAL AND METAL
DETECTORS

ELECTRONIC
MAGNETOMETERS

SUPER GEIGER AND
SCINTILLATION COUNTERS

ULTRA VIOLET
LIGHTS

GOLDMASTER AMPHIBIAN
Model TR-8

Operators Instructions

To operate the instrument proceed as follows:

- (1) Slip on the helmet of the underwater speaker, so that it is over the right ear.
- (2) Rotate the "Mineral Metal Control Knob" to the left (counter-clockwise) TEN full revolutions. (This control is a Ten revolution control that actually can be rotated indefinitely because when you reach one of the limits it slips instead of stopping.) This will make sure you are at the left limit of the control.
- (3) Next rotate this same control to the right (clockwise) Five (5) full revolutions. This will put the control in the middle of its two limits.
- (4) Snap the "Power Switch" to the "ON" position, by pushing the toggle lever to the right.

NOTE: Be sure the loop is away from any metal objects.

SPECIAL NOTE: IMPORTANT - BE SURE TO LUBRICATE THE O RING BEFORE USING THE INSTRUMENT OR WARRANTY AGAINST WATER LEAKAGE IS VOID. USE PARKER O RING LUBE OR VASELINE. DO NOT ATTEMPT TO OVER TIGHTEN ANY FITTINGS OR PARTS!

- (5) The instrument should now be ready to operate.

METAL SETTING

With the "Mineral-Metal" Control adjusted as described above. you should be adjusted between the MINERAL and METAL settings, to a quiet spot called the "NULL".

If you wish to search for NON-FERROUS Metals, you should rotate the Mineral-Metal control to the right (clockwise) from one to three revolutions until you hear a low volume tone. This is the edge of the METAL SETTING and is also the most sensitive adjustment.

When you pass the loop near a NON-FERROUS metal (metals that don't contain iron), the volume of the tone will increase as you go across it, and then decrease as you move away. The loudest reading will be when you are directly over the object. Also the volume will increase as the loop is moved closer to the object. The volume will stay loud as long as the loop is held close to the object, and will decrease in volume as you move past the object. The volume will also decrease on the Metal setting as you go over magnetic metals and minerals such as iron or black Magnetic sand.

MINERAL SETTING

From the center of the MINERAL-METAL Control, turn the knob to the left from one to three revolutions until you hear a low volume tone. This is the edge of the MINERAL SETTING and is the most sensitive adjustment for searching for MAGNETIC or FERROUS METALS such as IRON and STEEL.

When you pass the loop near a Ferrous Metal the volume of the tone will increase as you go across it, and then decrease as you move past the object. The loudest reading will be when you are directly over the object. Also the volume will increase as the loop is moved closer to the object. The volume will stay loud as long as the loop is held close to the object and will decrease in volume as you move away from the object.

The volume will also decrease on the MINERAL SETTING as you go over Non-ferrous Metals.

UNDERWATER OPERATION

The null of the instrument can shift slightly due to water temperature and salt concentration. This does not affect the instrument's operation or sensitivity as long as you can still obtain a Mineral and Metal Setting.

IMPORTANT NOTES:

- (1) When finished using the instrument, be sure to push the Power Switch toggle to the OFF position.
- (2) After using the instrument in salt water, it should be rinsed off, to remove the salt brine from the case and particularly from all the metal parts.
- (3) The large rubber "O" Ring should be kept clean and with a light coating of vaseline applied to insure a water tight seal.

REPLACING THE BATTERY

This instrument is powered by 6-1 1/2 volt AA penlight batteries. To gain access to this battery, and to replace it, proceed as follows:

- (1) Remove the ORANGE PLASTIC RING while holding the loop and detector housing securely.
- (2) Take the PLEXIGLAS PLATE out of the HOUSING carefully.
- (3) Remove the FOAM material.
- (4) Remove the BATTERY PACK.

Operators Instructions
Amphibian TR-8

-3-

CAUTION: BE CAREFUL NOT TO BREAK THE LEADS TO THE BATTERY DURING DIS-ASSEMBLY OR ASSEMBLY.

- (5) Remove the Penlight batteries from the pack by pressing down on the PLUS (+) end of the battery.
- (6) Re-install new batteries, OBSERVING POLARITY.
- (7) Replace battery pack in battery compartment.
- (8) Re-install the FOAM BLOCK in front of the BATTERY PACK.
- (9) Made sure the Rubber "O" ring is in place and re-position the PLEXIGLAS PLATE so it seats and is even around the edge.
- (10) Screw the ORANGE RING on tightly.

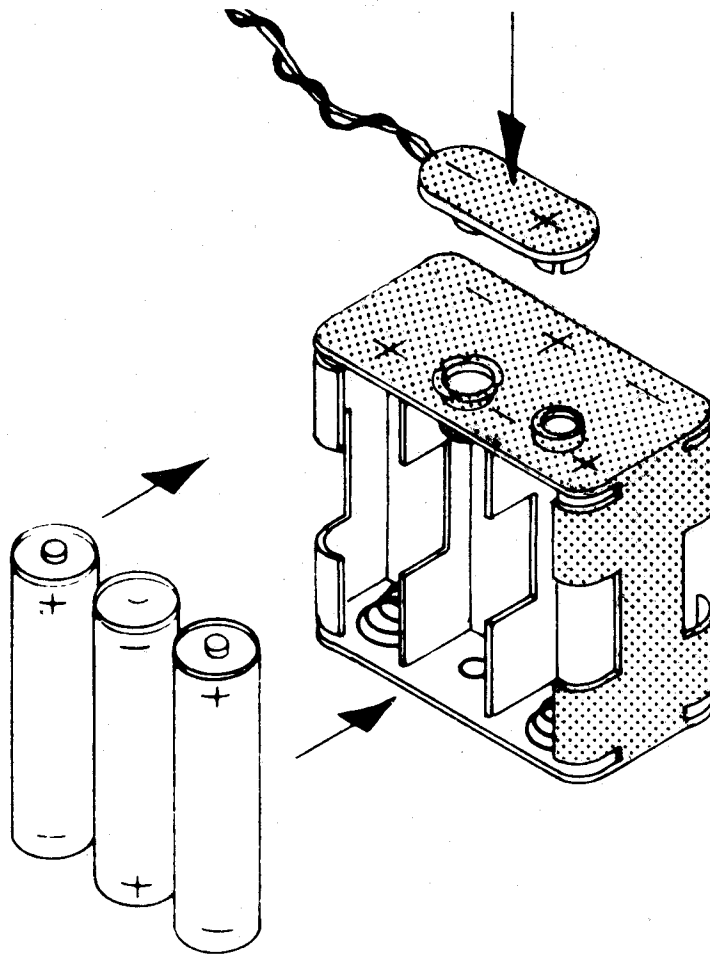
When laying the instrument away, care should be taken to see that the switch is not accidentally snapped on, which will discharge the battery if left on over several hours. If you are going to store the instrument for a long period or time, it is a good policy to remove the battery.

If in need of service, pack the instrument carefully, insure it, and return the instrument to the Factory Service Center.

WHITE'S ELECTRONICS, INC.
1011 Pleasant Valley Road
Sweet Home, Oregon 97386

Compiled 1-13-75
GWM

Printed in U. S. A.



BATTERY-PACK ILLUSTRATION

1.5 Volt "AA" [Battery Pack Models].....

EVEREADY
SUPER 99
OR 1015

BURGESS
910

RAY-O-VAC
7 AA

When ordering replacement batteries from the factory, please state the instrument model, voltage of batteries and battery number.



1011 Pleasant Valley Rd.
Sweet Home, Or. 97386