

# *White's Electronics, Inc.*

1011 PLEASANT VALLEY ROAD

SWEET HOME, OREGON 97386

## OPERATORS INSTRUCTIONS



### LAW ENFORCEMENT EQUIPMENT RESEARCH

P. O. Box 711      Jacksonville, Arkansas 72076

*SECURITY DEVICES*

MINERAL AND METAL  
DETECTORS

ELECTRONIC  
MAGNETOMETERS

CRIME SCENE  
SEARCH DETECTORS

CONCEALED  
WEAPON DETECTORS

OPERATING INSTRUCTIONS  
FOR  
CRIME SCENE SEARCH DETECTORS

LAWMAN L-6-7-8

INTRODUCTION

Please follow these instructions carefully, to operate the instrument correctly.

You are the operator, and the more familiar you become, through use and practice the better operator you will be. As you become familiar with the operation of this equipment and develop your own technique your efficiency will increase for more successful searches.

GENERAL DESCRIPTION

These instruments are completely transistorized (solid state), giving maximum sensitivity, excellent reliability, and economy in operation. They are designed specifically for Law Enforcement, but have features which allow them to be used for general exploration.

The audio system is complete, offering both earphone and speaker operation.

These instruments employ the balanced induction principle of operation, the loop being the heart of this system.

Batteries used are penlight, size "AA" 1 1/2 volt cells. Six are required for operation. Six cells in a holder, yielding 9 volts.

The Single Tuning Control incorporates a power switch, as well as controls the tuning of the instrument for the easiest and simplest operation.

ROD AND LOOP ASSEMBLY:

The rod is made in a sturdy one-piece construction with the instrument case already mounted. (After removing the thumb nuts from the loop, place the loop on the rod by inserting the loop bolts through the two holes on the end of the rod and then replace the thumb nuts and tighten, [finger tight] just so the loop is not loose, but held securely.)

METAL SETTING

The Metal Control adjusts the level of sensitivity as well as controlling the Power Switch. Very slowly rotate this control Clockwise, (Right) and you will hear a distinct "Click". This is the Power Switch energizing the circuit. Continue to turn this Control until a tone is heard in the speaker.

There may be a sudden loud tone sound, just as soon as the switch clicks on, for a few seconds duration. If so, this is normal- as soon as the tone stops - then continue to turn the control to the right, until the tone again just starts to come in. The instrument is now ready for operation.

SEARCH METHODS AND TECHNIQUES

When passing the loop over a non-magnetic conductive metal, such as the metal sample you received with your instrument, the sound will increase in the speaker and will be retained as long as the loop is held over the metal object. As soon as the loop passes away from the metal object, the sound will lower in volume to approximately the same as before the object was detected.

Earphone usage: To use the earphone install its plug into the jack on the instrument. Note this cuts off the speaker giving privacy in listening. You may use the earphone whenever you wish, its special feature being that of giving you a concentrated tone close to your ear, which excludes interfering noises about you.

The small objects, at times give just a slight tone change, due to their size. In these cases, the phones are the most effective method of detection.

Cartridge cases, coins, silver, gold, copper, lead and brass are some of the highly conductive metals that will cause a response in the speaker or earphones. This may be in the form of a knife, gun or other weapon or possibly as stolen articles such as jewelry, coins or other small concealable items. The instrument is not designed to react to sticks, rags, bones, paper or any other non-metallic objects.

To locate hidden metal objects, slowly and systematically sweep the loop over the area to be checked, being very careful to hold the instrument so that the loop is held at as constant a level as possible with the least variation in relation to the formation you are using the instrument over.

When searching for small objects, such as a single bullet, the instrument should be tuned in with the loop held as close to the search area as possible. Hold this distance as closely as you possibly can. For larger objects, one can hold the instrument approximately 1 to 2 inches from the surface to be explored. Keep repeating this process until you have explored the entire area. With each sweep of the instrument you will cover approximately 3 inches. If there is any thing under the surface being explored, and it is within detectable range of the instrument, you should be able to find it.

It is a good policy to slightly adjust the Tuning Control every 5 to 10 minutes to keep the instrument at its highest peak of sensitivity, when searching for small objects.

CAUTION:

The instrument should never be left where extreme heat is present. Excessive heat can damage some of the sensitive electronic parts and the batteries. If the instrument is left in a car on a hot day, it should be covered by a blanket or some other covering to protect it from the direct sun rays and the windows cracked to permit ventilation.

SERVICE - WARRANTY - REPLACEMENT BATTERIES

This model contains one battery holder containing 6 1 1/2 volt Batteries. You may order new replacement batteries directly from our plant, if you cannot find them locally or at your dealers.

To replace the batteries, remove the two screws that hold the two (2) halves of the instrument case together. The battery pack will be visible in the lower half. When replacing the individual cells be sure to install them in the correct polarity, as shown on Page 4.

The new penlight battery system is better in many respects to the old type batteries:

1. Longer life
2. Readily available
3. Superior performance
4. Cheaper in replacement. (If one cell fails, you only need to replace the one cell.)

Replacements: Any AA penlight batteries.

Alkaline energizers and batteries of this type may be used and give even longer life.

Note: All batteries last longer if used in many short periods, rather than in a couple of long periods of use.

When through operating the instrument, turn the Power Switch-Tuner Control to the "Off" position.

Care should also be taken in excessively cold weather to protect the instrument, as well as the batteries from freezing.

If the instrument is to be laid away for any great length of time, the battery pack should be unsnapped and the pack removed from the instrument. This will prevent damage to the instrument in case one or more of the batteries are damaged or in case the power switch is left on or gets turned on accidentally. The damage to the instrument in this case is similar to what occurs in a flashlight, when the battery is discharged and the liquid escapes to damage the case and components.

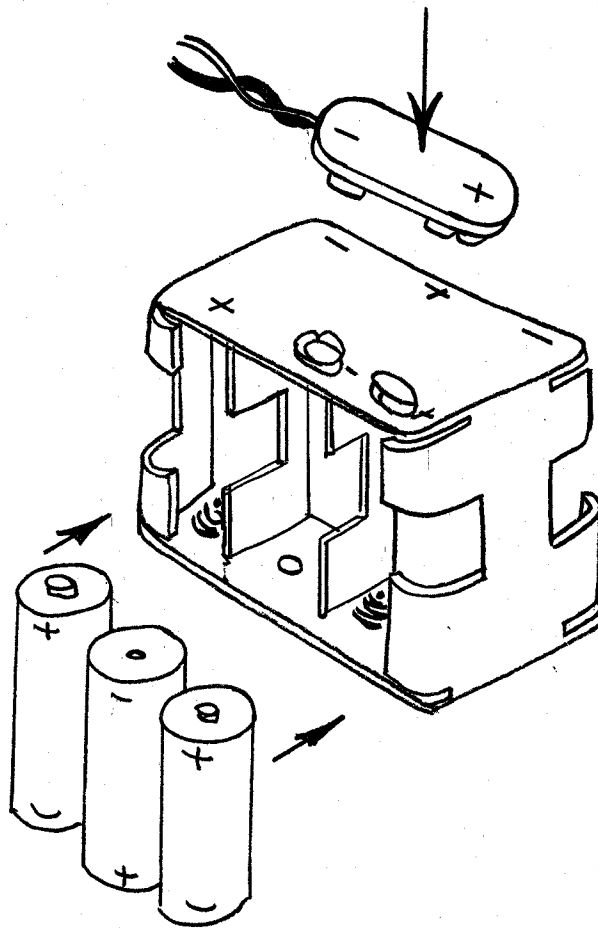
The instrument has a one (1) year warranty on parts and labor (except on batteries) to the original purchaser, from the date of sale, with a \$2.50 handling charge on all instruments returned for service.

If ever in need of service, ship the instrument by insured parcel post, freight or stage, prepaid and enclose a letter advising the nature of your troubles. It may be returned to the factory address listed below.

WHITE'S ELECTRONICS, INC  
1011 Pleasant Valley Road  
Sweet Home, Oregon 97386

Produced Exclusively for:  
and  
Distributed Solely by:  
LAW ENFORCEMENT EQUIPMENT RESEARCH  
P. O. Box 711  
Jacksonville, Arkansas 72076

Phone: 501-371-1711



Battery Pack Illustration

1.5 Volt "AA" (Battery Pack Models)

EVEREADY

1015

BURGESS

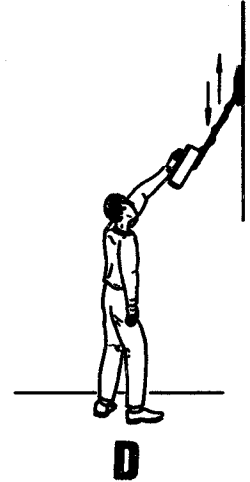
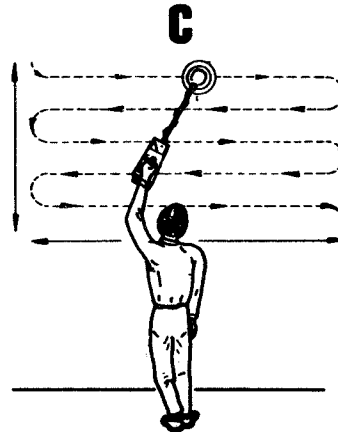
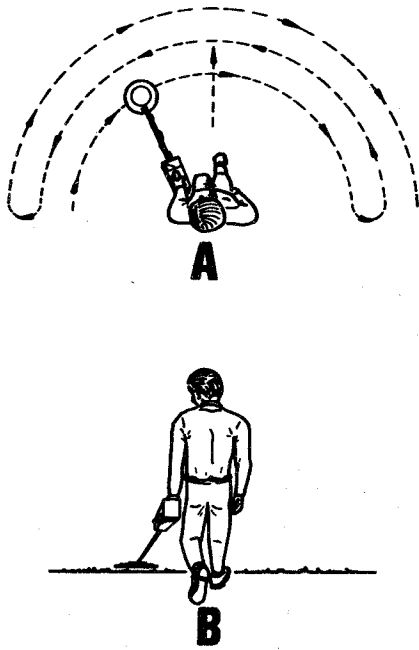
910

WHITE'S

B-1

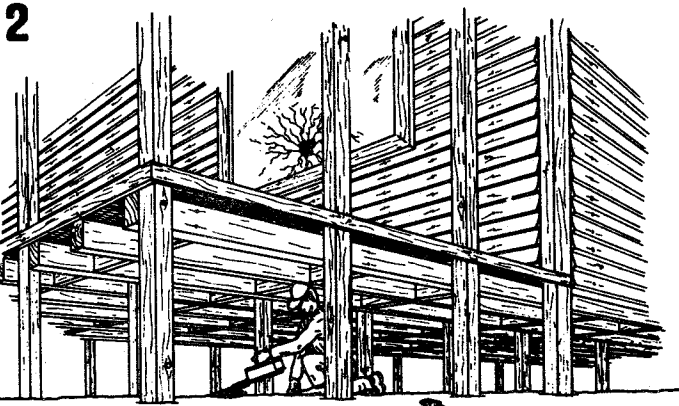
When ordering replacement batteries from the factory, please state the instrument model, voltage of batteries and battery number.

# OPERATING ILLUSTRATIONS



As shown in Diagrams A and B, when you are working on the ground, move forward in a straight line, at the same time, moving the loop from side to side across in front of you. The distance between each swath of the loop is determined by the size of the loop you are using. With a 6" loop you would make a 3" step, with 12" loop you would make a 6" step, and so on. Using this method of hunting enables the hunter to cover more ground, more completely, in less time. For tuning your loop, hold it as close to the ground as possible.

Diagrams C and D show you just one more of the many ways the versatile design of the White's instrument can help you either in prospecting or treasure hunting. This diagram demonstrates the extra ability the design gives in reaching to the out-of-the-way places. This system can be used for checking outcroppings, walls, etc.



Remember, a lot of old artifacts and treasure have been found under old buildings, as well as in the attics. When going through an old homestead, never overlook any place or area that could represent a good hiding place. So if you are planning such a trip, follow these simple illustrations and prepare your instrument. At a time like this you don't want to pass up any chances.

**America's Largest Line of Metal Detectors**





# White's Electronics, Inc.

---

Telex 36-4450 / Phone (503) 367-2138 / 1011 Pleasant Valley Road / Sweet Home, Oregon 97386

Dear Customer

In order to provide you with prompt service on your detector, we have established a network of factory authorized service centers. These centers have been carefully selected and instructed to perform Warranty Service work, as covered by the terms of our Warranty, as well as non-warranty service work. The list of Service Centers on the following page is provided for your convenience. We also recommend you contact your local dealer for assistance.

In addition to these service centers listed, we at the factory, are concerned about our individual customer. If you have any questions or problems, please write to me personally.

Sincerely,

Gary W. Morris  
Service Manager

GM:et

ALABAMA: Montgomery 36105  
 Southern Treasures  
 P O Box 2612  
 Phone: 205/265-8828  
ARIZONA: =Tempe 85252  
 Desert Fox  
 P O Box 26309  
 Phone: 602-963-6152  
ARIZONA: Phoenix 85034  
 Scott Engineering Inc  
 2216 E. Magnolia  
 Phone: 602/252-6866  
CANADA: Abbotsford, BC  
 White's Electronics Ltd  
 33784 Hazel Street  
 Phone 604/853-0232  
CALIFORNIA: San Diego 92104  
 San Diego Coin Exchange  
 3784 30th St.  
 Phone: 714/296-3131  
CALIFORNIA: Redlands 92373  
 Burnett Electronics  
 24 N. Buena Vista St.  
 Phone: 714/792-6309  
CALIFORNIA: Mt View 94040  
 W. H Haney Co  
 240 Castro Street  
 Phone: 415-968-8542  
CALIFORNIA: Red Bluff 96080  
 The Treasure Hut  
 Charles Hocker  
 634 Reeds Avenue  
 Phone: 916/527-3895  
COLORADO: Wheatridge 80033  
 Metal & Mineral Det. Sls.  
 6117 W 38th St.  
 Phone: 303/422-4566  
FLORIDA: Jacksonville 32201  
 Edgewood Coin Shop  
 934 S. Edgewood Ave.  
 Phone: 904/389-0013  
FLORIDA: N. Miami Beach 33162  
 Kenin, Inc.  
 1834 N. E. 163rd St.  
 Phone: 305/949-7681  
GEORGIA: Gainesville 30501  
 Electronic Sales Co  
 851 Main SW Drive  
 Lakeshore Mall  
 Phone: 904/532-3334  
 or /532-3177  
ILLINOIS: Villa Park 60181  
 Electronic Exploration  
 111 S. Wisconsin  
 Phone: 312/834-7060

INDIANA: Elkhart 46514  
 White's Electronics Inc.  
 Elk Air Industrial Park  
 Dexter Drive East  
 Phone: 219/264-1413  
IOWA: Council Bluffs 51501  
 Detector Supply  
 209 S. 28th  
 Phone: 712/322-1633  
IOWA: Davenport 52801  
 Spragg Electronics Service  
 532 Brady Street  
 Phone: 319/323-9921 & 23  
KANSAS: Wichita 67213  
 Quintin Bonta  
 617 Chase Street  
 Phone: 316/942-6965  
MICHIGAN: Mt Clemens 48043  
 Treasure Land  
 38554 Groesbeck Hwy  
 Phone: 313/465-0600  
MICHIGAN: Mt Pleasant 48858  
 Box Bar G Western Store  
 (Formerly Gormans Gun Shop)  
 205 East Broadway  
 Phone: 517/773-7553  
MINNESOTA: Albert Lea 56007  
 Phelps Communication Center  
 R.R.1, Box 58  
 Phone: 507/373-1111  
MISSISSIPPI: Ocean Spgs. 39564  
 Clay's Sport Shop  
 2744 Bienville Blvd  
 Magnolia Park Shopping Ctr.  
 Phone: 601/875-7183  
MISSOURI: St Louis 63123  
 Roussin Printing Co.  
 8700 Gravois  
 Phone: 314/638-1722  
NEW HAMPSHIRE: Hudson 03051  
 Radio Intelligence Comm. Syst  
 14 Ridgecrest Drive  
 Phone: 603/883-0000  
NEW JERSEY: Lincoln Pk. 07035  
 Wayne Divers  
 25 Oak Street  
 Phone: 201/694-9201  
N MEXICO: Albuquerque 87108  
 Andrews Electric Co.  
 109 California St SE  
 Phone: 505/265-1567  
N MEXICO: Eunice 88231  
 J. E. Earhart  
 Box 171, 1407 8th St  
 Phone: 505/394-2997

NEW YORK: Great Neck 11020  
 Ship & Shore Communications Co.  
 607 Middle Neck Rd  
 Phone: 516/482-5646  
NEW YORK: Massapequa 11762  
 Atlantic Metal Detector Sales  
 1021 Park Blvd.  
 Phone: 516/799-1172  
N. DAKOTA: Grand Forks 58201  
 McGiffins Coin & Stamp  
 103 N. 3rd. St.  
 Phone: 701/772-5311  
OHIO: Minerva 44657  
 Blanchard's  
 218 N. Market Street  
 Phone: 216/868-4544  
OKLAHOMA: Tulsa 74112  
 The Treasure Shack  
 8500 East Eleventh  
 Phone: 918/828-5062  
OREGON: Sweet Home 97386  
 (Factory)  
 White's Electronics, Inc.  
 1011 Pleasant Valley Rd  
 Phone: 503/367-2138  
RHODE ISLAND: W. Warwick 02893  
 Bob's Service  
 137 Brookside Ave  
 Phone: 401/828-5062  
TEXAS: Odessa 79760  
 Fireball Electronic Met Det. Sls.  
 1807 E 8th  
 Phone: 915/366-4802  
TEXAS: S Houston 77587  
 Alexander Enterprises  
 616 Arkansas  
 Phone: 713/946-6399  
TEXAS: Arlington 76010  
 Arlington Electronics  
 915 E. Park Row  
 Phone: 817/261-9441  
VIRGINIA: Roanoke 24015  
 Roanoke TV Service  
 1211 4th St.  
 Phone: 405/345-5625  
W. VIRGINIA: Charleston 25312  
 Roland Barnett  
 Rt 4, Box 124,  
 Phone:  
WASHINGTON: Tacoma 98446  
 J. S. Electronics  
 10305 Waller Road E  
 Phone: 206/531-1736



1011 Pleasant Valley Rd.  
Sweet Home, Or. 97386